



Modular Bed

Congratulations on the purchase of your new Modular Bed. Every effort has been taken to ensure your complete satisfaction with this custom designed product. For your convenience the Bed is supplied semi-assembled for easy assembly.

Helpful Assembly Hints

Read the instructions carefully before starting. Check to see that all the parts are included. Work in a spacious area preferably on a carpet or soft surface. You will need a phillips head screw driver for the assembly. A cordless drill is preferable. Make sure you tighten all the screws and bolts securely.

Guarantee Information

Modular Furniture Pty Ltd warrants this product to be free from faulty parts or workmanship for a period of 5 years from the date of purchase to the original owner. An identification label on the back or bottom of each item of furniture is used to validate the purchase and should not be removed. Under the terms of this warranty the repair and replacement of any parts shall be at the discretion of the company or their designated representatives. The warranty does not cover damaged caused by abuse, alteration, accident or neglect. On occasion the manufacturer may request return of goods for inspection prior to any acceptance of warranty claim. Should service become necessary during the warranty period please contact your supplying retailer. Product transportation is the owner's responsibility.

Furniture Care

Your furniture normally requires a minimum amount of maintenance, however the following points are worth noting.

- Please note timber is a natural product, so variances in colour, shade and grain between pieces will occur due to ageing. A small amount of timber movement is also considered natural.
- Dust surfaces with a soft clean cloth or feather duster
- To remove minor marks wipe with a clean damp cloth and dry off after.
- Spillages especially alcohol should be wiped off immediately with a damp cloth and dried
- Protect your furniture with heat resistant placemats for all hot food and beverages
- Do not expose timber to direct sunlight or extremes of heat and humidity
- Do not use general household cleaning products containing silicones or abrasive polishes
- Do not allow liquids or damp cloths to remain in contact with the furniture surfaces
- Do not conceal the tops of your furniture with glass covers. (Sweating & peeling of the finish may occur)
- Doors and Drawers are squarely fitted in our factory. Ensure your unit sits on a level surface for smooth operation.
- Periodically check and tighten screws as necessary.
- Bed slats should be alternated from centre to end every 6 months to extend life. (Solid bases should also be flipped)

Creative Bedroom Solutions



Modular Furniture Pty Ltd
27-31 Wilson Street
Royal Park SA 5014
P: (08) 8447 3088
E: sales@modularfurniture.com.au
W: www.modularfurniture.com.au



Component Check

Before starting assembly please check that all components have been received and in the correct quantities.

Components

- 1 x Bed Head
- 1 x Foot End
- 2 x Side Rails L&R
- 1 x Bed Base
- 1 x Trundle Assembly
- 2 x Drawers

NB: Hardware fittings packed with the Side Rails. Do not discard with packaging.

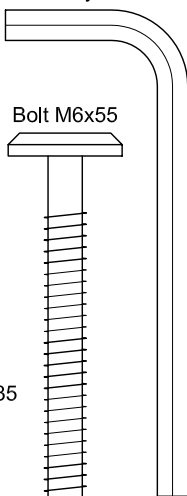
Fittings

- 4 x Bolt M6x55mm (4mmHH)
- 1 x Allen Key 4mm
- 4 x Screw Ø4x35mm
- 1 x Assembly Instructions

Assembly Detail

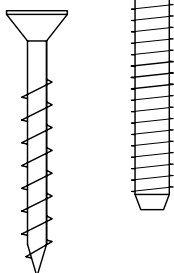
1. Locate side rail into the Foot End and secure using Bolt M6x55mm. Then fit the other end of the side rail into the Headboard and secure.
2. Repeat for the other side rail. **This may require 2 people to perform safely.**
3. Place bed base into bed assembly and secure to side rail cleats using Screw Ø4x35mm

Allen Key 4mm

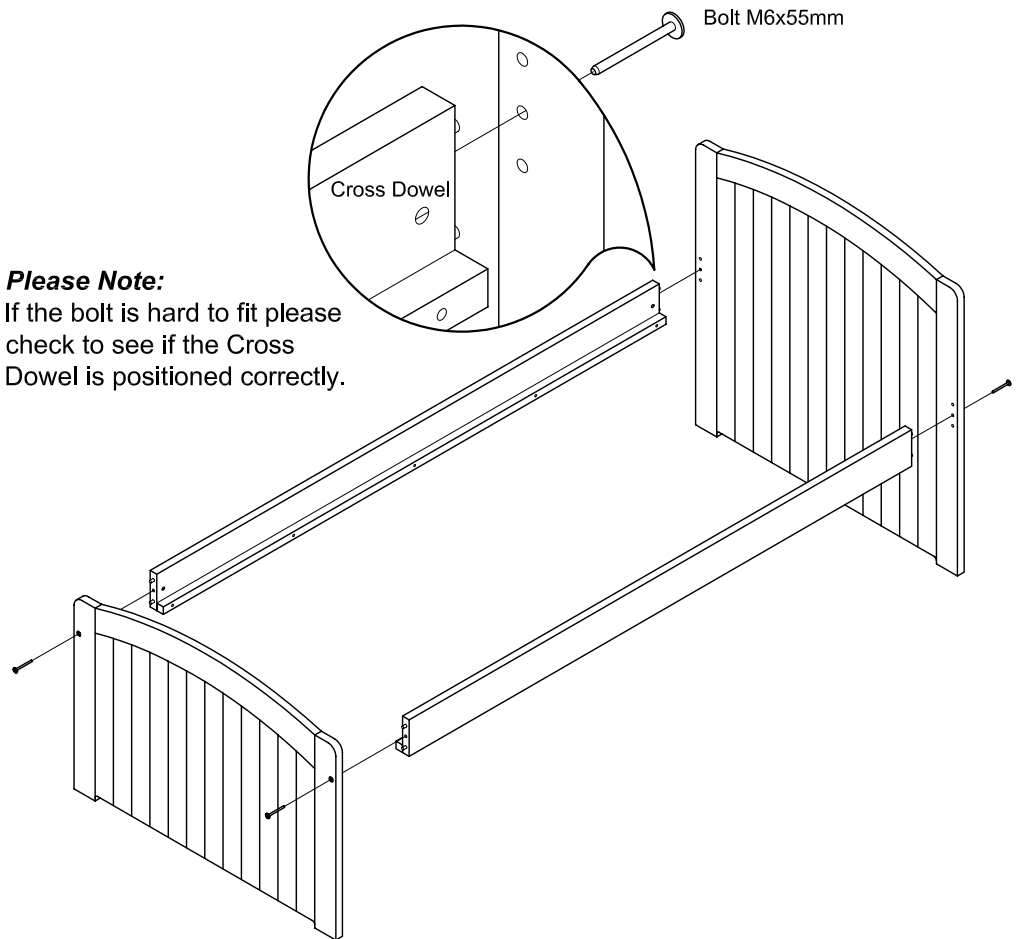


Bolt M6x55

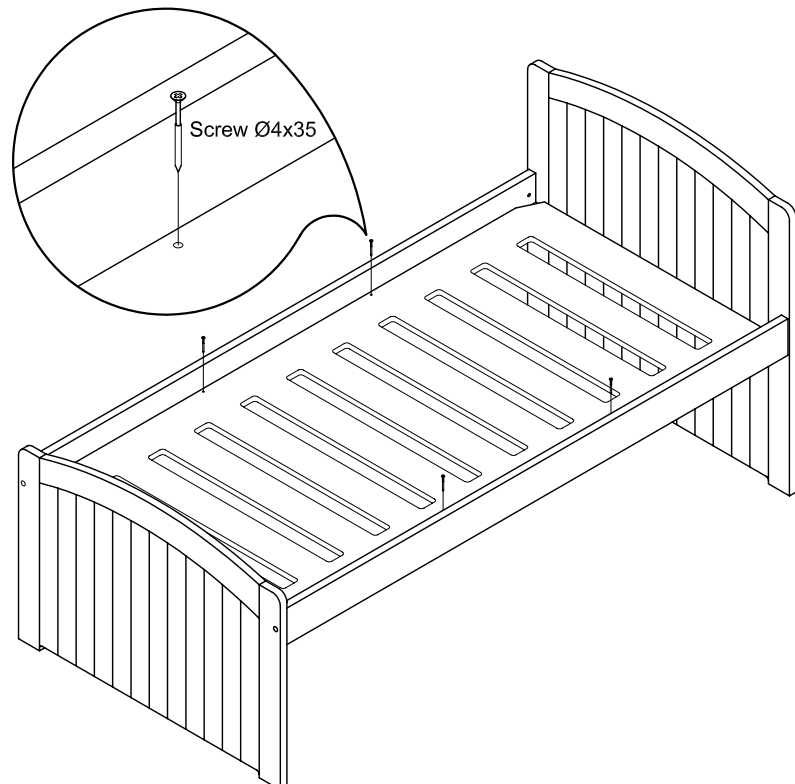
Screw Ø4x35



1. Bed Assembly



2. Fitting Bed Base



Assembly Detail

1. Slide drawers into the trundle.
2. Locate and roll the trundle assembly under the bed.

3. Bed Assembly

