



Modular Bed

Congratulations on the purchase of your new Modular Bed. Every effort has been taken to ensure your complete satisfaction with this custom designed product. For your convenience the Bed is supplied semi-assembled for easy assembly.

Helpful Assembly Hints

Read the instructions carefully before starting. Check to see that all the parts are included. Work in a spacious area preferably on a carpet or soft surface. You will need a phillips head screw driver for the assembly. A cordless drill is preferable. Make sure you tighten all the screws and bolts securely.

Guarantee Information

Modular Furniture Pty Ltd warrants this product to be free from faulty parts or workmanship for a period of 5 years from the date of purchase to the original owner. (Please retain payment receipts as proof of purchase) An identification label on the back or bottom of each item of furniture is used to validate the purchase date and should not be removed. Our goods come with guarantees that cannot be excluded under the Australian Consumer Law. You are entitled to a replacement or refund for a major failure and for compensation for any reasonably foreseeable loss or damage. You are also entitled to have the goods repaired or replaced if the goods fail to be of acceptable quality and the failure does not amount to a major failure. All endeavours will be made to match items replaced with that of the original but no guarantee can be given as timber is a natural product with varying grains, textures, colours and features and will develop a richer depth of colour with age. Under the terms of this warranty the repair and replacement of any parts shall be at the discretion of the company or their designated representatives. The warranty does not cover damaged caused by abuse, alteration, accident or neglect. On occasion the manufacturer may request return of goods for inspection prior to any acceptance of warranty claim. Should service become necessary during the warranty period all claims must be directed through the supplying retailer. The benefits given by this guarantee are in addition to other rights and remedies of the consumer under consumer laws.

Product Care

Your product normally requires a minimum amount of maintenance, however the following points are worth noting.

- Please note timber is a natural product, so variances in colour, shade and grain will occur due to ageing. A small amount of timber movement is also considered natural.
- To remove minor marks wipe with a clean damp cloth and dry off after.
- Do not expose furniture to direct sunlight or extremes of heat and humidity.
- Do not use household cleaning products containing silicones, abrasive polishes or solvents.
- Doors and Drawers are fitted squarely in our factory. Ensure the units sit on a level surface for smooth operation.
- Periodically check and tighten screws as necessary.



Modular Furniture Pty Ltd
27-31 Wilson Street
Royal Park SA 5014
P: (08) 8447 3088
E: sales@modularfurniture.com.au
W: www.modularfurniture.com.au

Creative Bedroom Solutions



Component Check

Before starting assembly please check that all components have been received and in the correct quantities.

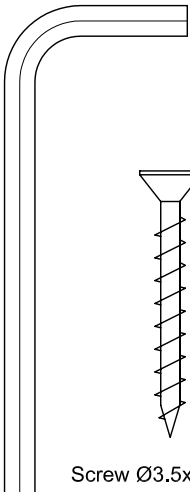
Components

- 1 x Bed Head
- 1 x Foot End
- 1 x Bed Base
- 2 x Side Rails

NB: Hardware fittings packed with the Side Rails. Do not discard with packaging.

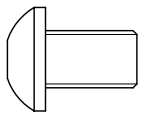
Fittings

- 8 x Bolt $\text{\O}7.5 \times 12\text{mm}$ HH
- 1 x Allen Key 5mm
- 4 x Screw $\text{\O}3.5 \times 35\text{mm}$ CS
- 1 x Assembly Instructions



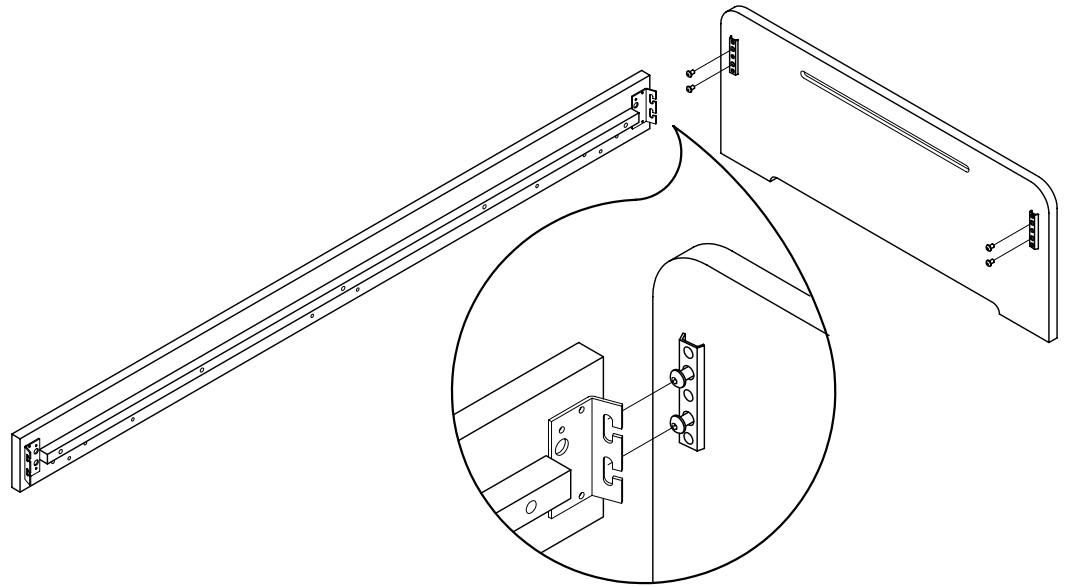
Screw $\text{\O}3.5 \times 35\text{mm}$ CS (x4)

Allen Key 5mm

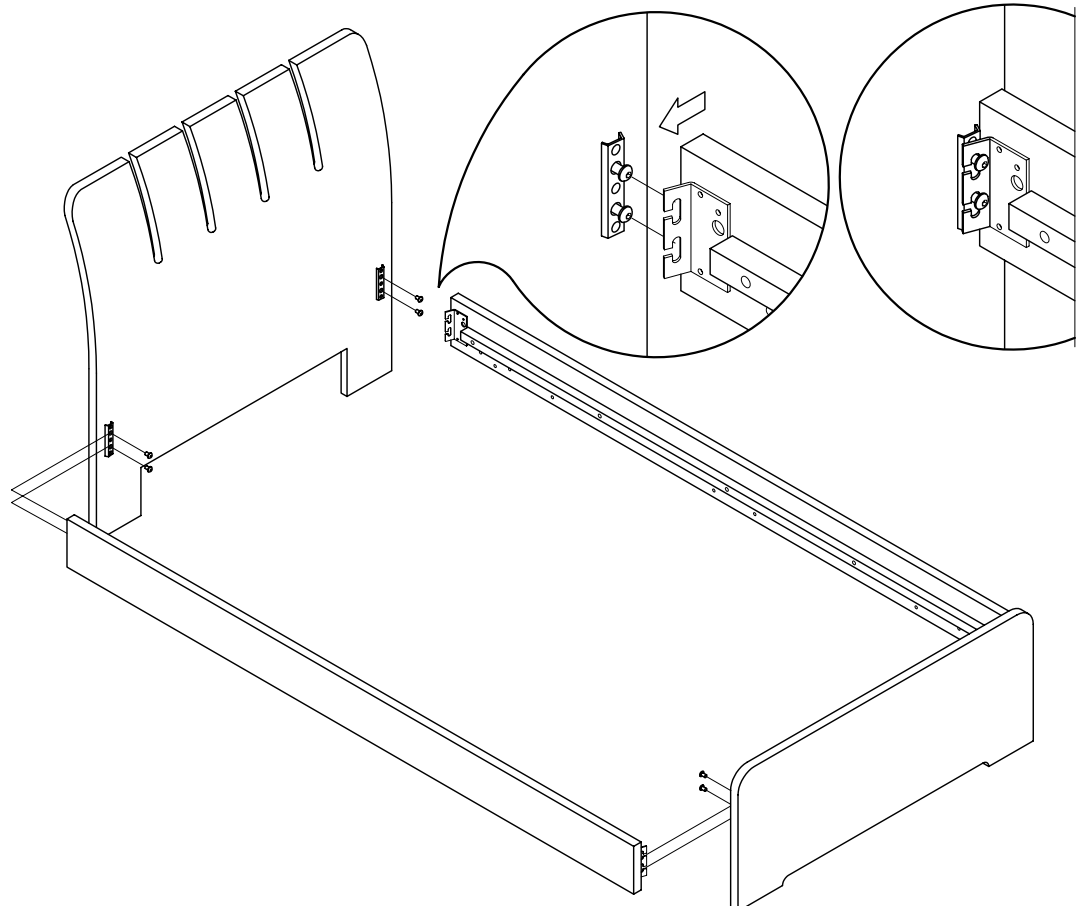


Bolt $\text{\O}7.5 \times 12\text{mm}$ HH (x8)

1. Side Rail & Foot Assembly



2. Side Rail & Headboard Assembly



Assembly Detail

1. Loosely screw Bolts into the brackets in the Foot End and Headboard.
2. Attach Side Rail to Foot End. Slip Side Rail bracket onto the Bolts and push down. **Loosen Bolts if too tight.**
3. Lift and attach the same Side Rail to the Headboard and repeat for other Side Rail. Then secure all bolts.

Optional Under Bed Drawer Assembly Instructions

Component Check

If you have ordered Under Bed Drawers please check that all components have been received and in the correct quantities.

Components

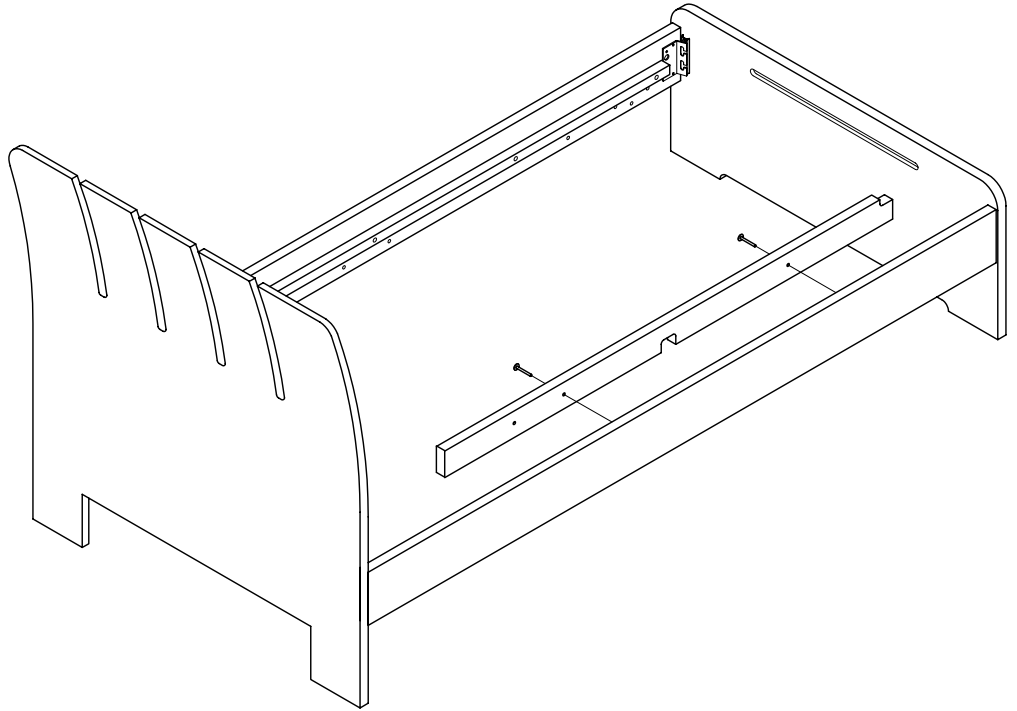
1 x Drawer Guide (per Drw)
2 x Bolt Ø6x45mm HH
1 x Allen Key 4mm

Assembly Detail

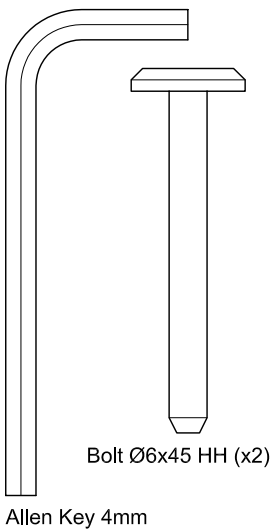
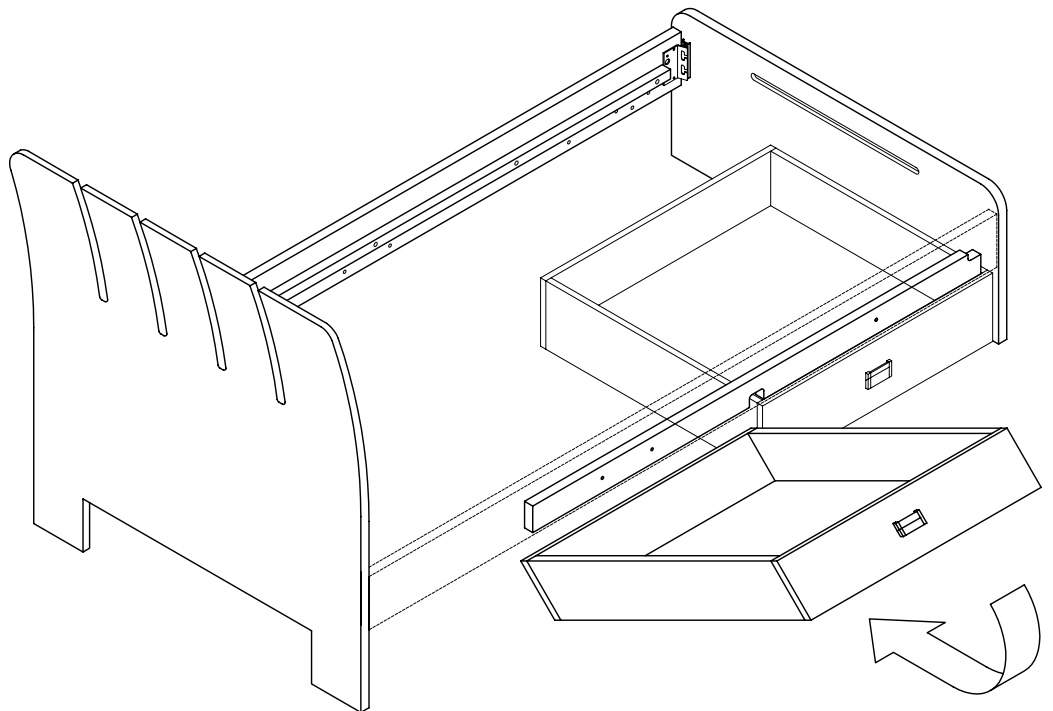
When fitting the under bed Drawer Guide ensure it is orientated correctly and fitted to the Foot End of the Side Rails. (as shown)

1. Decide which side you would like your drawer/s opening.
2. Then locate the Drawer Guide on the Side Rail and secure using Bolts Ø6x45mm.
3. Locate the Drawer to the foot end, then tilt and slide under the Side Rail. You will note that part of the Drawer Guide sits inside the Drawer once fitted.
4. With the Under Bed Drawer boxes positioned you can proceed to fit the bed base.

3. Under Bed Drawer Guide Assembly



4. Fitting Under Bed Drawers



Bolt Ø6x45 HH (x2)

Allen Key 4mm

Component Check

Before starting assembly please check that all components have been received.

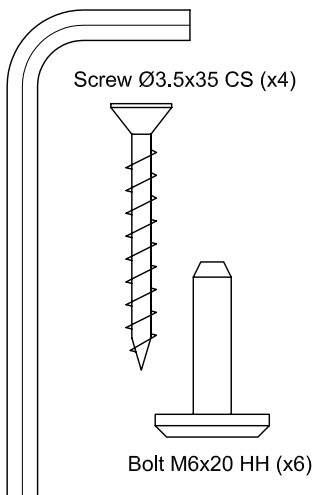
Components

- 1 x Bed Head
- 1 x Castor Foot End
- 1 x Bed Base
- 2 x Side Rails
- 2 x Wheels

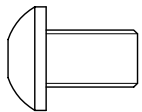
NB: Hardware fittings packed with the Side Rails. Do not discard with packaging.

Fittings

- 8 x Bolt $\text{\O}7.5 \times 12\text{mm}$ HH
- 1 x Allen Key 5mm
- 6 x Bolt $\text{M6} \times 20\text{mm}$ HH
- 1 x Allen Key 4mm
- 4 x Screw $\text{\O}3.5 \times 35\text{mm}$ CS
- 1 x Assembly Instructions



Allen Key 4mm & 5mm

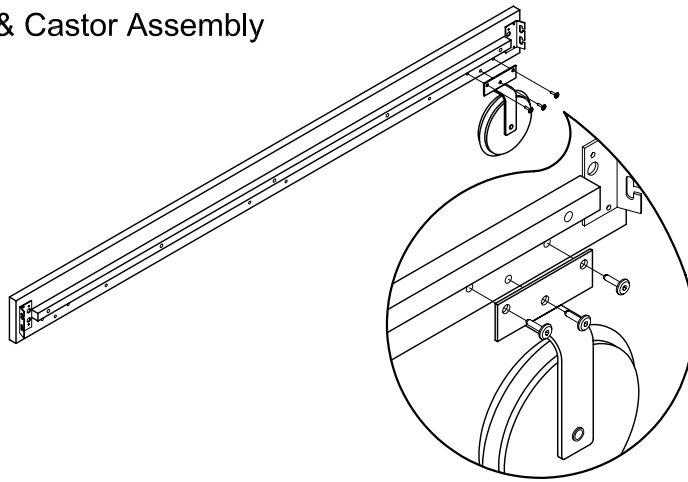


Bolt $\text{\O}7.5 \times 12\text{mm}$ HH (x8)

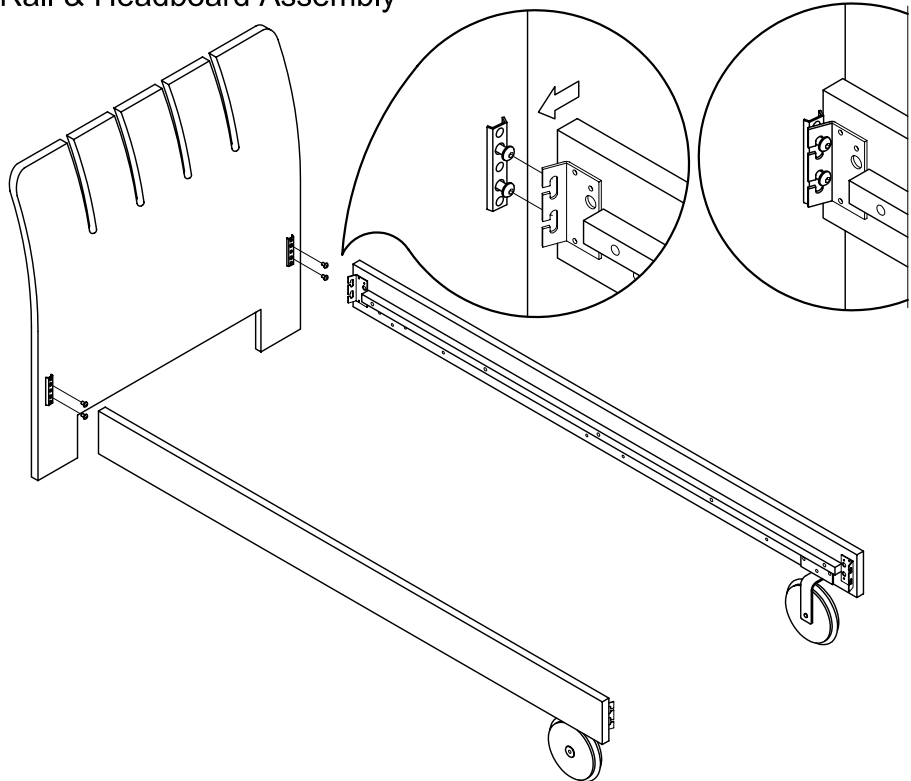
Assembly Detail

1. Fix the Wheels to the Side Rails using Bolt $\text{M6} \times 20\text{mm}$
2. Loosely screw Bolts into the brackets into the Headboard.
3. Attach Side Rails to the Headboard and secure. **Loosen Bolts if tight.**
4. Loosely screw Bolts into the brackets in the Castor Foot End.
5. Locate and attach the Castor Foot End to the side rails and secure.

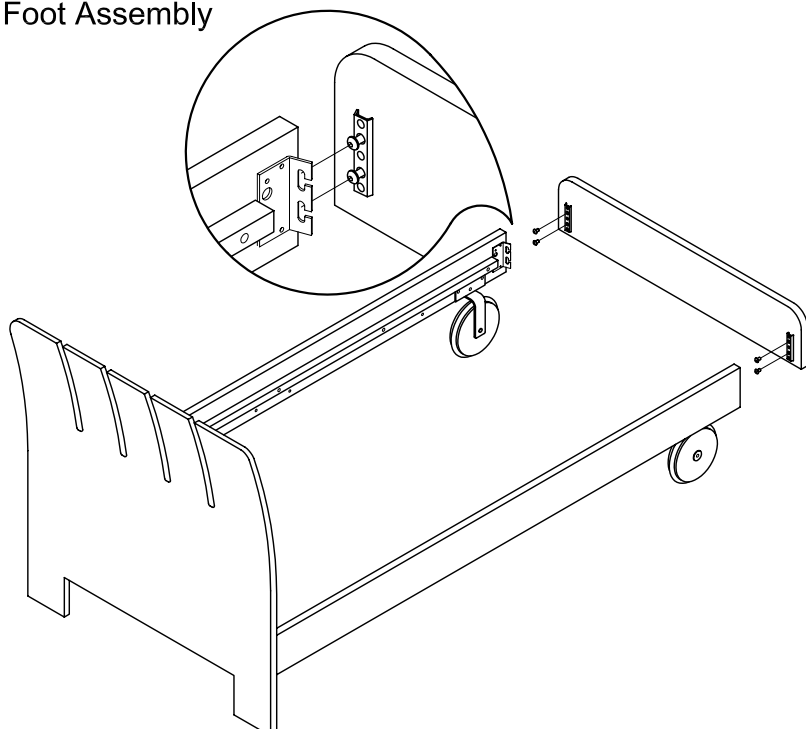
1. Side Rail & Castor Assembly



2. Side Rail & Headboard Assembly



3. Castor Foot Assembly



Assembly Detail

1. Locate Bed Base into frame and secure to Side Rail cleats using Screw $\text{Ø}3.5 \times 35\text{mm}$

NB: Lift headboard end to move bed

1. Side Rail & Castor Assembly

