



Modular Bed

Congratulations on the purchase of your new Modular Bed. Every effort has been taken to ensure your complete satisfaction with this custom designed product. For your convenience the Bed is supplied semi-assembled for easy assembly.

Helpful Assembly Hints

Read the instructions carefully before starting. Check to see that all the parts are included. Work in a spacious area preferably on a carpet or soft surface. You will need a phillips head screw driver for the assembly. A cordless drill is preferable. Make sure you tighten all the screws and bolts securely.

Guarantee Information

Modular Furniture Pty Ltd warrants this product to be free from faulty parts or workmanship for a period of 5 years from the date of purchase to the original owner. An identification label on the back or bottom of each item of furniture is used to validate the purchase and should not be removed. Under the terms of this warranty the repair and replacement of any parts shall be at the discretion of the company or their designated representatives. The warranty does not cover damaged caused by abuse, alteration, accident or neglect. On occasion the manufacturer may request return of goods for inspection prior to any acceptance of warranty claim. Should service become necessary during the warranty period please contact your supplying retailer. Product transportation is the owner's responsibility.

Furniture Care

Your furniture normally requires a minimum amount of maintenance, however the following points are worth noting.

- Please note timber is a natural product, so variances in colour, shade and grain will between pieces and will also occur due to aging. A small amount of timber movement is also considered natural.
- Dust surfaces with a soft clean cloth or feather duster
- To remove minor marks wipe with a clean damp cloth and dry off after.
- Spillages especially alcohol should be wiped off immediately with a damp cloth and dried
- Protect your furniture with heat resistant placemats for all hot food and beverages
- Do not expose timber to direct sunlight or extremes of heat and humidity
- Do not use general household cleaning products containing silicones or abrasive polishes
- Do not allow liquids or damp cloths to remain in contact with the furniture surfaces
- Do not conceal the tops of your furniture with glass covers. (Sweating & peeling of the finish may occur)
- Doors and Drawers are squarely fitted in our factory. Ensure your unit sits on a level surface for smooth operation.
- Periodically check and tighten screws as necessary.
- Bed slats should be alternated from centre to end every 6 months to extend life. (Solid bases should also be flipped)
- Refer to Fabric Care Instructions on the back of the upholstered products.

Creative Bedroom Solutions



Modular Furniture Pty Ltd
 27-31 Wilson Street
 Royal Park SA 5014
 P: (08) 8447 3088
 E: sales@modularfurniture.com.au
 W: www.modularfurniture.com.au



Component Check

Before starting assembly please check that all components have been received and in the correct quantities.

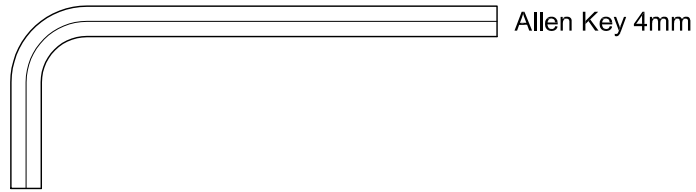
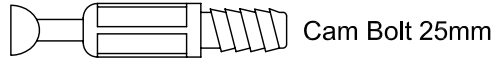
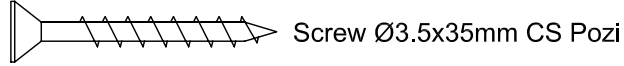
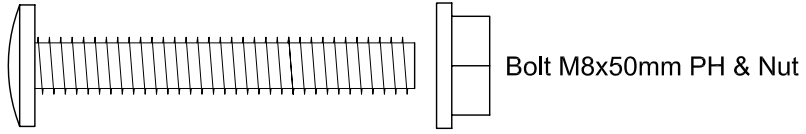
Components

- 1 x Bed Head
- 1 x Foot End
- 2 x Side Rails
- 1 x Leg Assembly
- 1 x Metal Posture Slat Base
- 1 x Timber Slat Support
- 2 x Floor Panels

NB: Hardware fittings packed with the Side Rails. Do not discard with packaging.

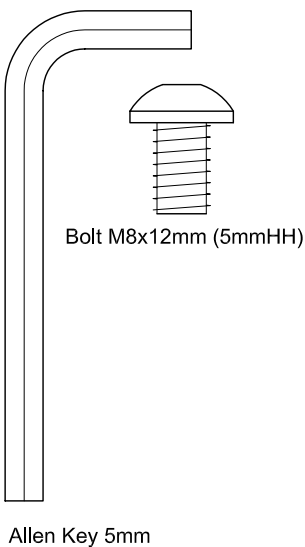
Fittings

- 8 x Bolt M8x12mm (5mmHH)
- 1 x Allen Key 5mm
- 1 x Allen Key 4mm
- 4 x Bolt M6x20 (4mmHH)
- 6 x Screw Ø3.5x35mm
- 1 x Assembly Instructions
- 6 x Bolt M8x50 PH & Nut
- 2 x Cam Bolt 25mm

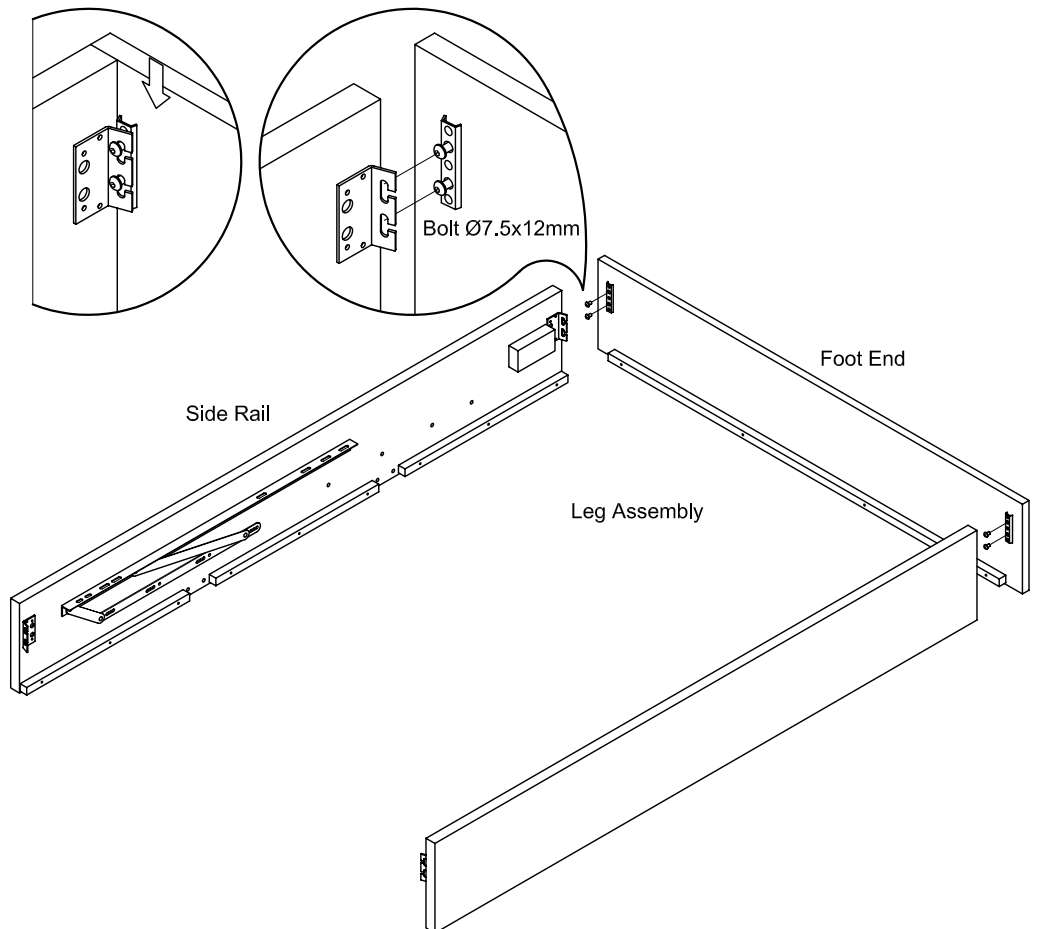


Assembly Detail

1. Loosely screw Bolts M8x12mm into brackets in the Foot End.
2. Attach Side Rails to Foot End and secure bolts firmly.



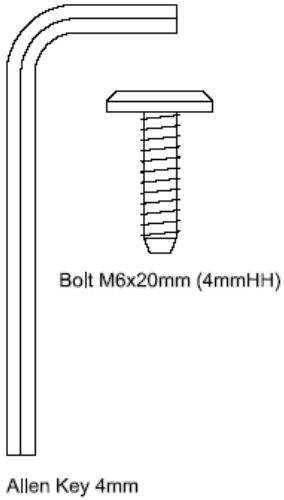
1. Side Rail & Foot Assembly



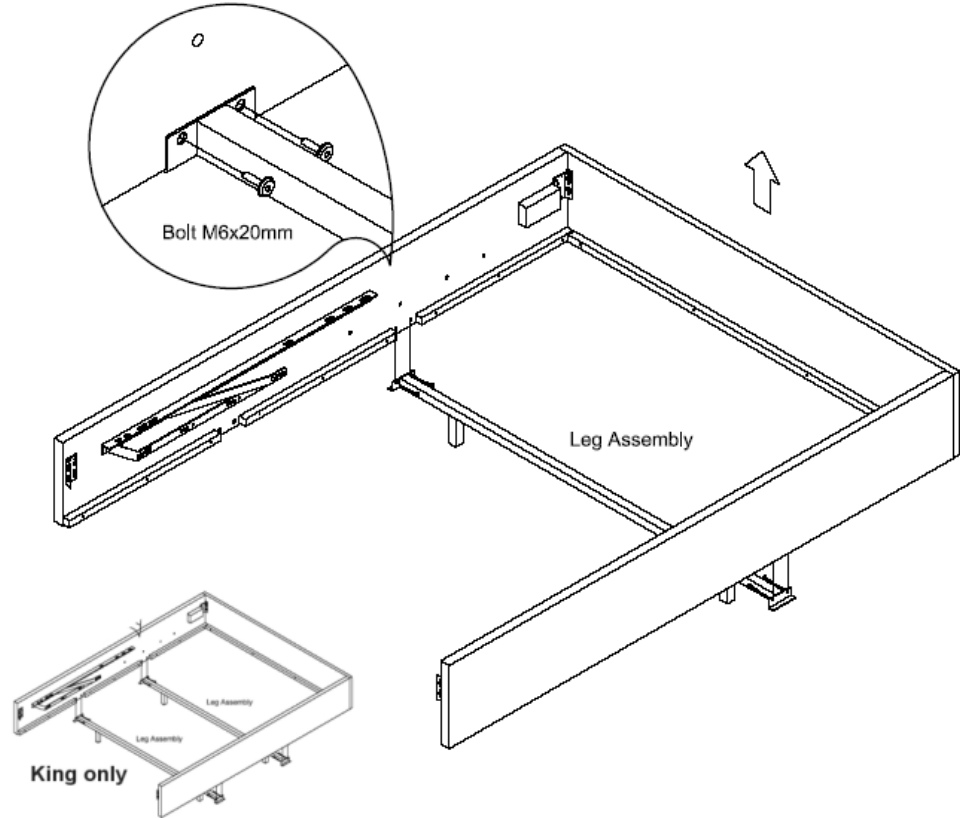
Assembly Detail

1. Tilt the assembly (from the foot end) and fit the Metal Leg Assembly securing with Bolts M6x20mm.

NB: This may require 2 people to perform safely.

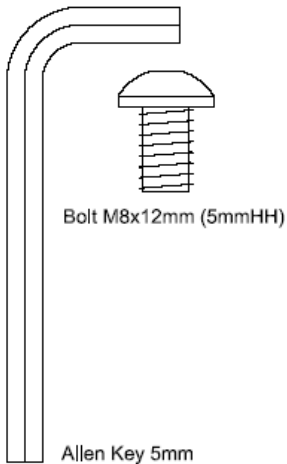


2. Fitting Leg Assembly

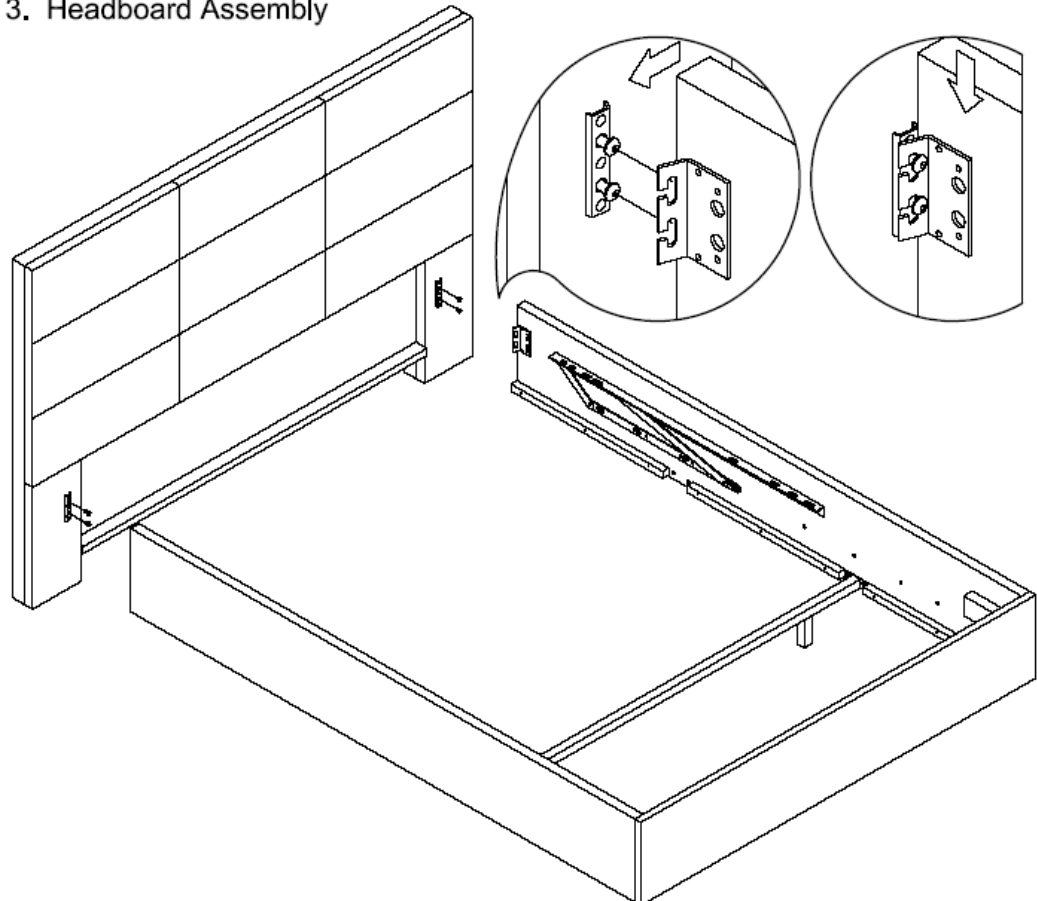


Assembly Detail

1. Loosely screw Bolts M8x12mm into brackets in the Headboard.
2. Carefully lift the side rails of the bed base assembly and fit to the headboard. Then firmly secure the bracket bolts.
3. Carefully lift and move the bed into position.
This will require 2 people to perform safely.



3. Headboard Assembly

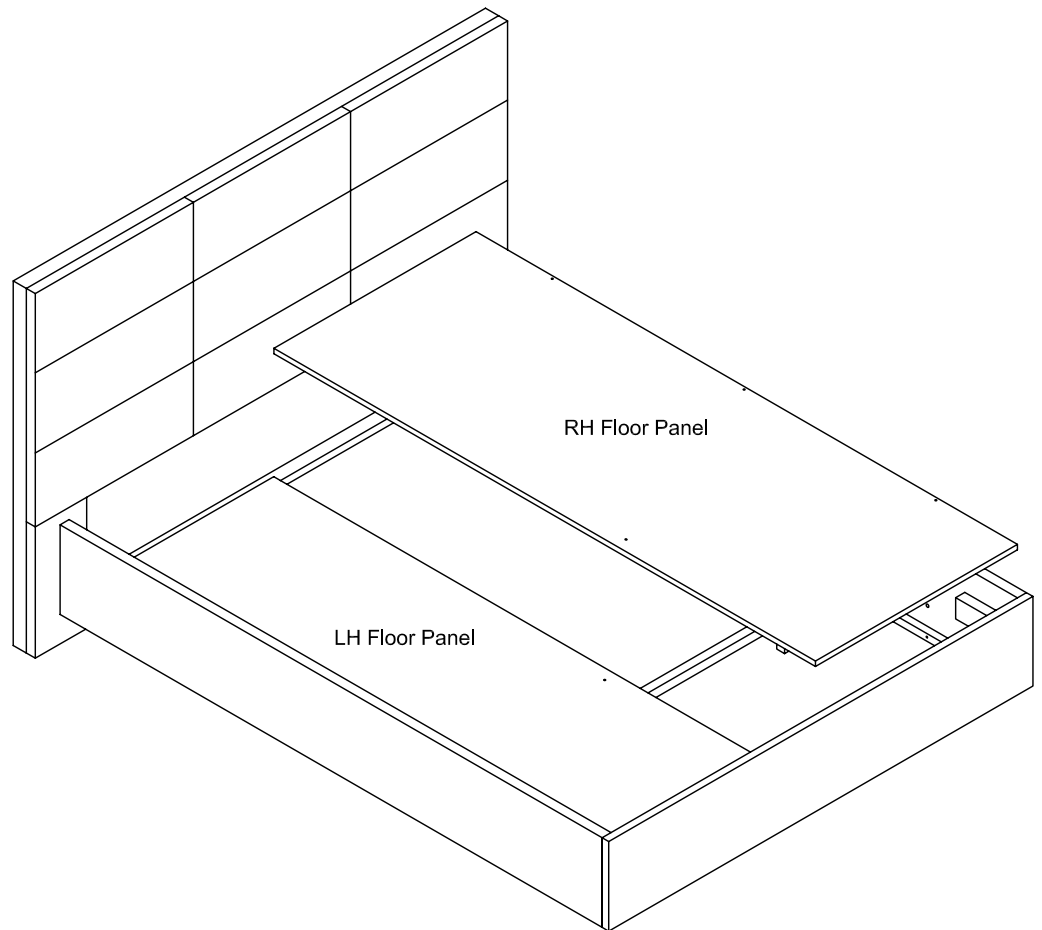


Assembly Detail

- Carefully slide the bed base Floor Panels into place. Note the position of the holes. **This will require 2 people to perform safely.**

The Floor Panels should be resting on the cleats attached to the side rails, foot and headboard.

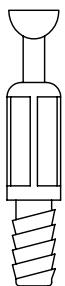
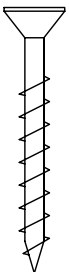
4. Bed Base Bottom Assembly



Assembly Detail

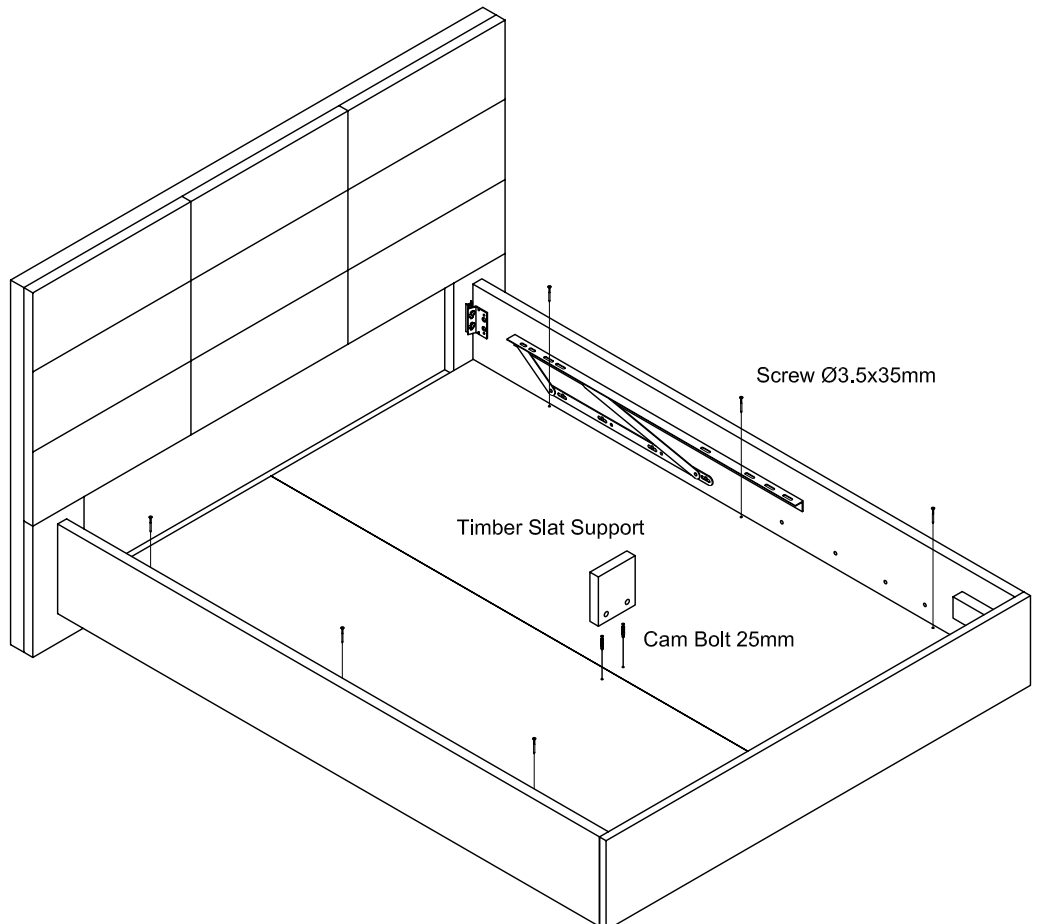
- Screw Cam Bolts into the Floor Panels. Then locate the Timber Slat Support and secure by turning cams a half turn clockwise.
- Secure the Floor Panels to the side rail cleats using Screw $\text{\O}3.5 \times 35\text{mm}$.

Screw $\text{\O}3.5 \times 35\text{mm}$

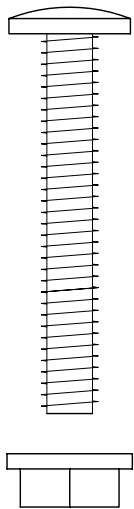


Cam Bolt 25mm

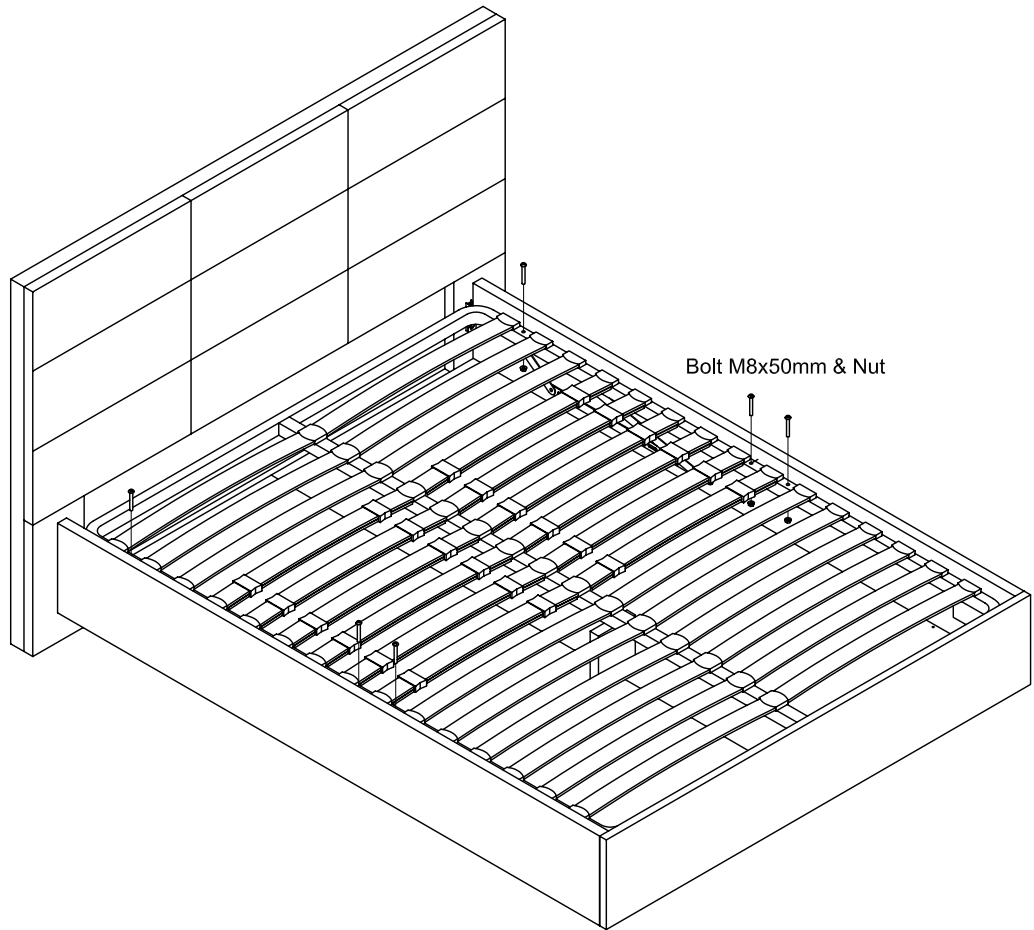
5. Secure Bed Base Bottom Assembly



6. Gas Lift Base Assembly



Bolt M8x50mm PH & Nut



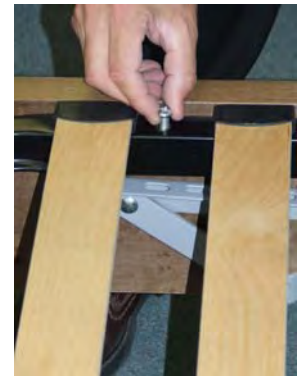
Bolt M8x50mm & Nut



Loosen the brass bolts attaching the Gas Lift Mechanism to the side rails allowing it to slide backwards and forwards.



Place the Posture Slat Bed Base onto the gas lift mechanisms and support blocks attached to the side rails. Ensure the holes located in the Posture Slat Base sides are located toward the bed head.



Centre the hole closest to the bed head in the Posture Slat Base with the first slot in the Gas Lift Mechanism arm and insert bolt and attach nut. Fit remaining bolts/nuts.



Centre the Posture Slat Base. Then tighten all the bolts and nuts in Posture Slat Base and secure the bolts attaching the gas lift mechanism to the side rails.



Lift the posture slat base up and attach Gas Strutt ensuring the strut cylinder end is up (as shown) then secure using lock nuts. Repeat for other side. **Take care -** Without the mattress some force will be required to lower the posture slat base. **NB: If you have a light mattress attaching one gas strut maybe adequate.**

