



### Modular Bed

Congratulations on the purchase of your new Modular Bed. Every effort has been taken to ensure your complete satisfaction with this custom designed product. For your convenience the Bed is supplied semi-assembled for easy assembly.

### Helpful Assembly Hints

Read the instructions carefully before starting. Check to see that all the parts are included. Work in a spacious area preferably on a carpet or soft surface. You will need a phillips head screw driver for the assembly. A cordless drill is preferable. Make sure you tighten all the screws and bolts securely.

### Warranty Information

Modular Furniture Pty Ltd warrants this product to be free from faulty parts or workmanship for a period of 5 years from the date of purchase to the original owner. An identification label on the back or bottom of each item of furniture is used to validate the purchase and should not be removed. Under the terms of this warranty the repair and replacement of any parts shall be at the discretion of the company or their designated representatives. The warranty does not cover damaged caused by abuse, alteration, accident or neglect. On occasion the manufacturer may request return of goods for inspection prior to any acceptance of warranty claim. Should service become necessary during the warranty period please contact your supplying retailer. Product transportation is the owner's responsibility.

### Product Care

Your Bed normally requires a minimum amount of maintenance, however the following points are worth noting.

- Please note timber is a natural product, so variances in colour, shade and grain will occur due to ageing. A small amount of timber movement is also considered natural.
- To remove minor marks wipe with a clean damp cloth and dry off after.
- Do not expose furniture to direct sunlight or extremes of heat and humidity.
- Do not use household cleaning products containing silicones, abrasive polishes or solvents.
- Doors and Drawers are fitted squarely in our factory. Ensure the units sit on a level surface for smooth operation.
- Periodically check and tighten screws as necessary.



**Modular Furniture Pty Ltd**  
 27-31 Wilson Street  
 Royal Park SA 5014  
 P: (08) 8447 3088  
 E: sales@modularfurniture.com.au  
 W: www.modularfurniture.com.au

*Creative Bedroom Solutions*



## Component Check

Before starting assembly please check that all components have been received and in the correct quantities.

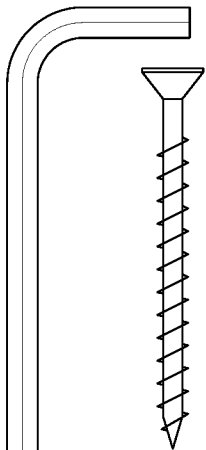
## Components

- 1 x Bed Head
- 1 x Foot End
- 1 x Slat Set
- 2 x Side Rails

**NB: Hardware fittings packed with the Side Rails. Do not discard with packaging.**

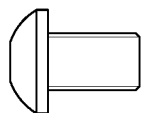
## Fittings

- 8 x Bolt Ø7.5x12mm HH
- 1 x Allen Key 4mm
- 2 x Screw Ø3.5x50mm CS
- 1 x Assembly Instructions



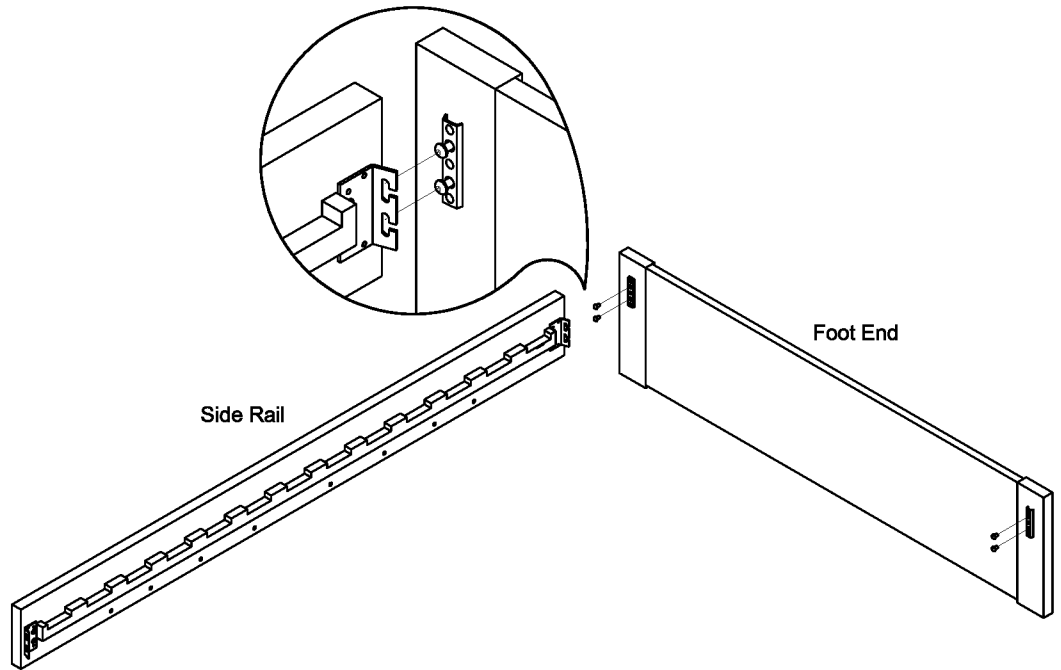
Screw Ø3.5x50 CS (x2)

Allen Key 4mm

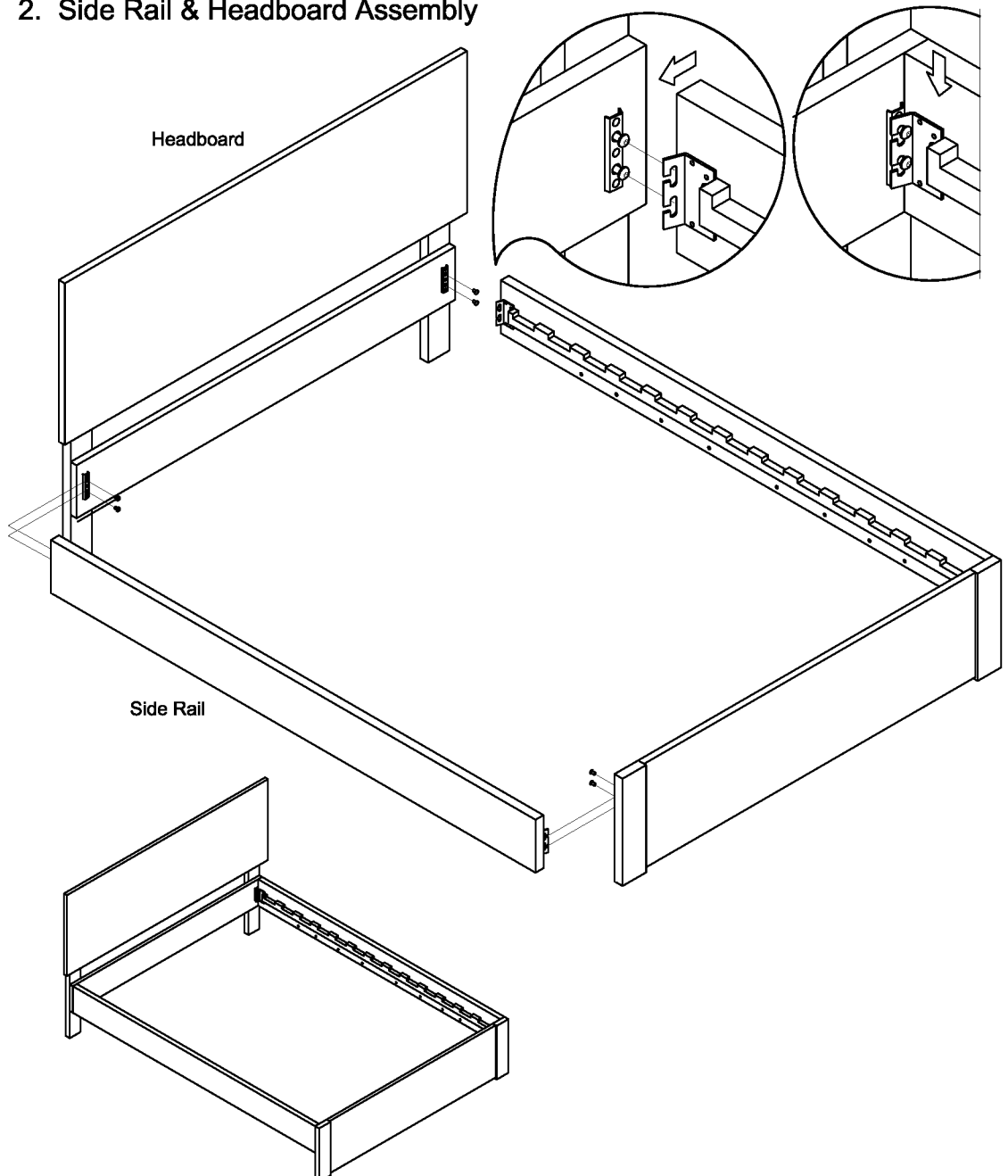


Bolt Ø7.5x12mm HH (x8)

## 1. Side Rail & Foot Assembly



## 2. Side Rail & Headboard Assembly



## Assembly Detail

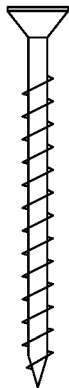
1. Loosely screw Bolts into the brackets in the Foot End and Headboard.
2. Attach Side Rail to Foot End. Slip Side Rail bracket onto the Bolts and push down. **Loosen Bolts if too tight.**
3. Lift and attach the same Side Rail to the Headboard.
4. Carefully fit the other Side Rail onto Bolts.
5. Ensure both Side Rails are set down on the Bolts and secure using the Allen Key.

## Assembly Detail

1. Position the pre-drilled Centre Slat (centrally) onto the Side Rail cleats. Secure onto the Side Rail cleat using Screw  $\text{Ø}3.5 \times 50\text{mm}$ . Repeat on the other Side Rail.

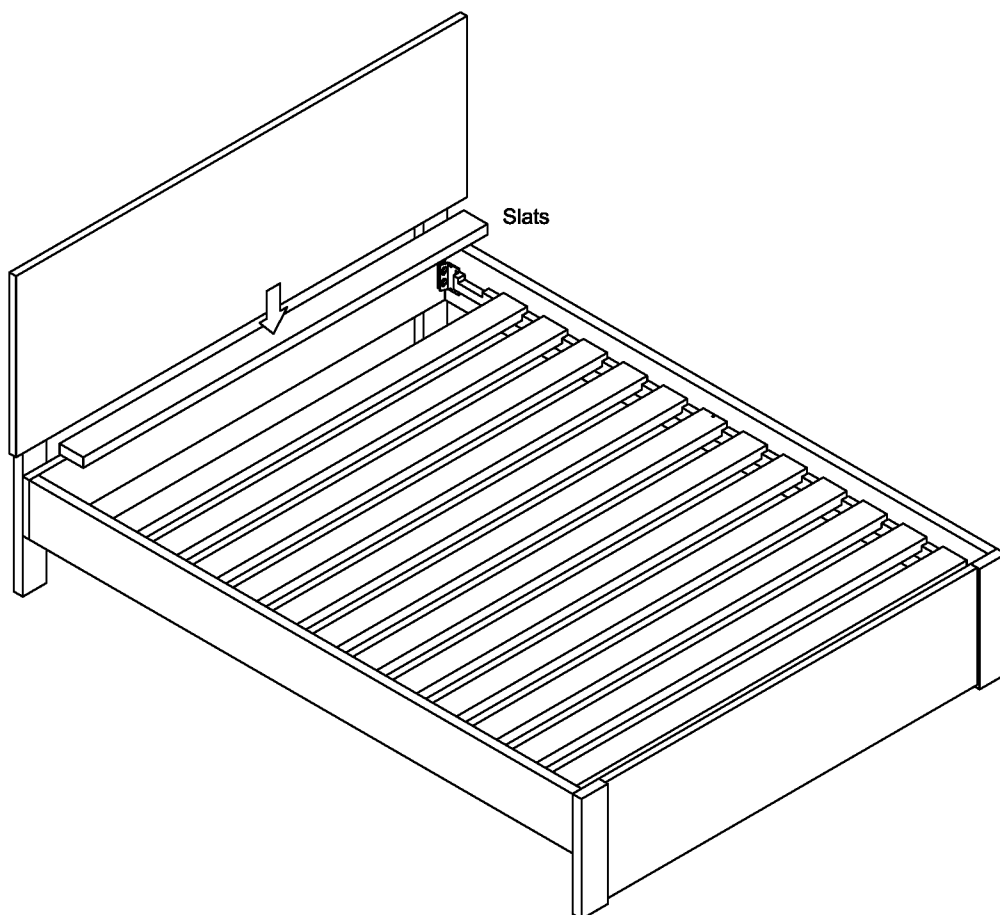
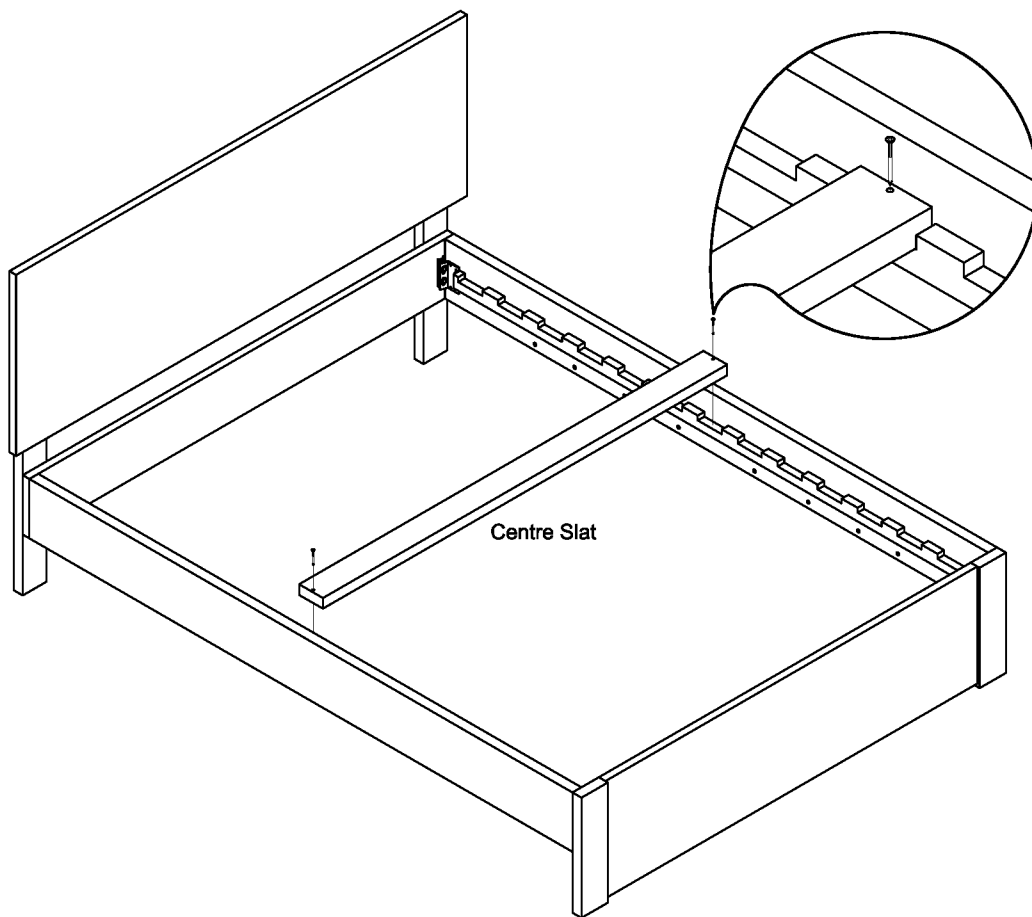
**NB: This will ensure the integrity of the bed base and help keep the slats in place.**

2. Fit the remaining Slats



Screw  $\text{Ø}3.5 \times 50$  CS (x2)

## 4. Fitting Slats



**Component Check**

If you have ordered Under Bed Drawers please check that all components have been received and in the correct quantities.

**Components**

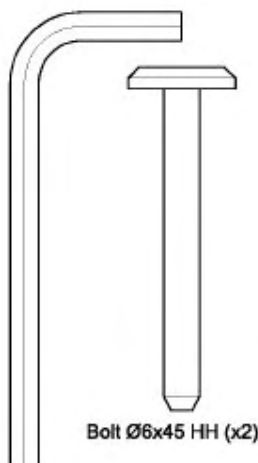
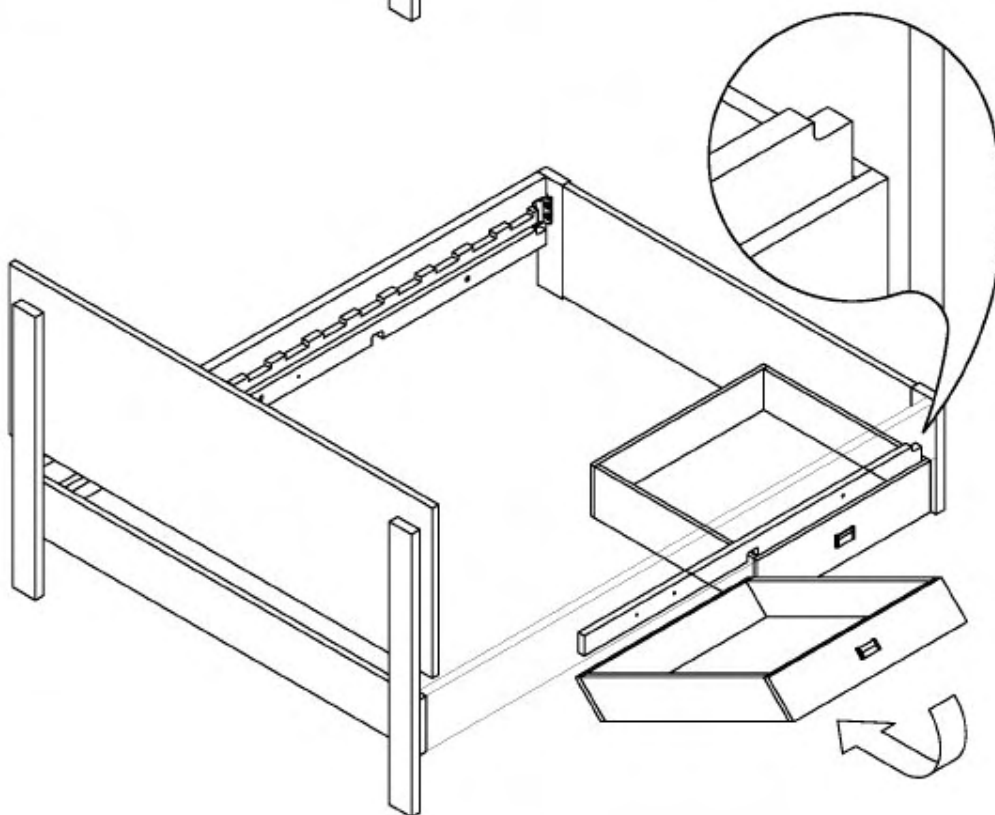
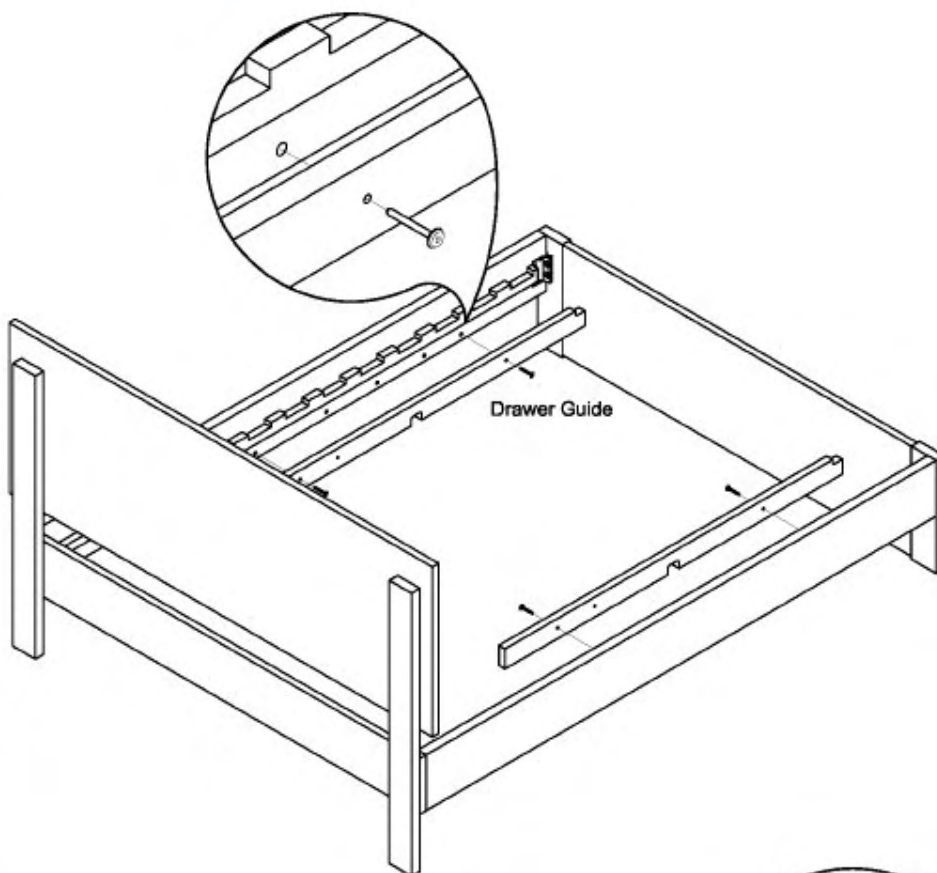
- 1 x Drawer Guide (per Drw)
- 2 x Bolt Ø6x45mm HH
- 1 x Allen Key 4mm

**Assembly Detail**

When fitting the under bed Drawer Guide ensure it is orientated correctly and fitted to the Foot End of the Side Rails. (as shown)

1. Decide which side you would like your drawer/s opening.
2. Then locate the Drawer Guide on the Side Rail and secure using Bolts Ø6x45mm.
3. Locate the Drawer to the foot end, then tilt and slide under the Side Rail. You will note that part of the Drawer Guide sits inside the Drawer once fitted.
4. With the Under Bed Drawer boxes positioned you can proceed to fit the slats.

3. Under Bed Drawer Assembly



Bolt Ø6x45 HH (x2)

Allen Key 4mm